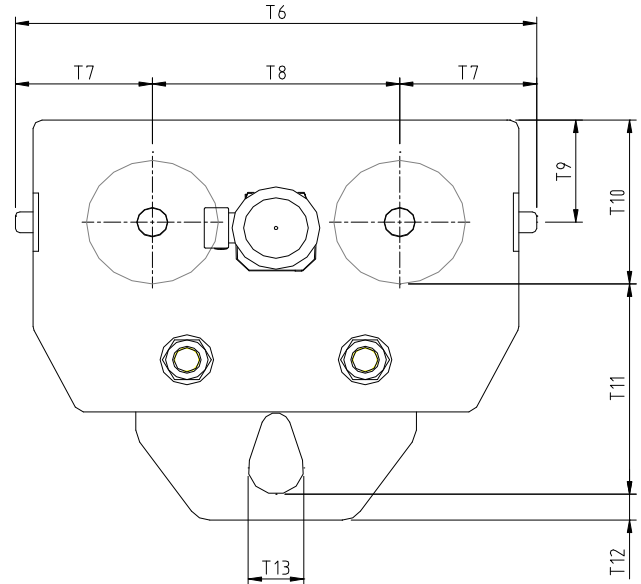
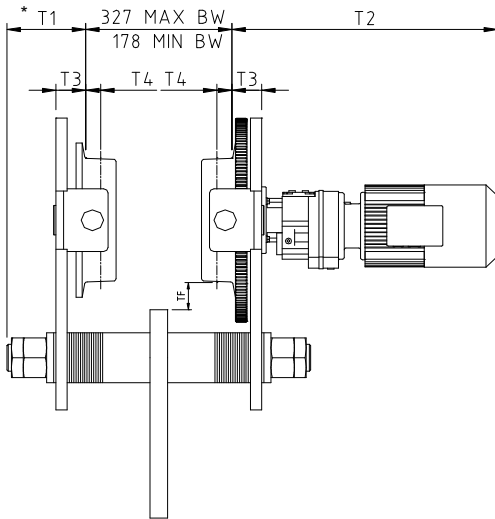


TROLLEYS

JDN MONOCRANE trolleys are available in motorised or push / pull variants and feature an adjustable width cross bolt system and our SW series wheels.

JDN MONOCRANE SW Series wheels are manufactured in Ductile Iron, Grade 500-7(GGG-50), providing a balance between strength, ductility and wear resistance. Featuring shielded ball bearings, machine cut teeth and a spherical tread profile which is compatible with both parallel and tapered beam flanges.



BW = BEAM WIDTH

* NOTE : TOTAL CROSS BOLT LENGTH DOES NOT CHANGE WITH BEAM WIDTH.

AS THE BEAM WIDTH DECREASES, T1 INCREASES.

MOTORISED TROLLEYS

PART NO.	T1	T2	T3	T4	T6	T7	T8	T9	T10	T11	T12	T13	TF
TROL_MO_080_20F	106	493	41	13	505	120.5	264	112.5	160	295	35	70	40
TROL_MO_125_20F	125	526	50	16	600	144	312	152.5	200	305	35	70	50
TROL_MO_160_20F	136	578.5	61	20	765	187.5	390	180	265	395	50	100	45
TROL_MO_200_20F	154	581.5	64	28	930	228	474	245	330	432.5	62.5	125	55
TROL_MO_250_20F	177	596	67	28	1090	267.5	555	310	395	502.5	62.5	125	65

PUSH TROLLEYS

PART NO.	T1	T2	T3	T4	T6	T7	T8	T9	T10	T11	T12	T13	TF
TROL_PU_080_P	106	106	41	13	505	120.5	264	112.5	160	295	35	70	40
TROL_PU_125_P	125	125	50	16	600	144	312	152.5	200	305	35	70	50
TROL_PU_160_P	136	136	61	20	765	187.5	390	180	265	395	50	100	45
TROL_PU_200_P	154	154	64	28	930	228	474	245	330	432.5	62.5	125	55
TROL_PU_250_P	177	177	67	28	1090	267.5	555	310	395	502.5	62.5	125	65

* All dimensions in mm and subject to change without notice.