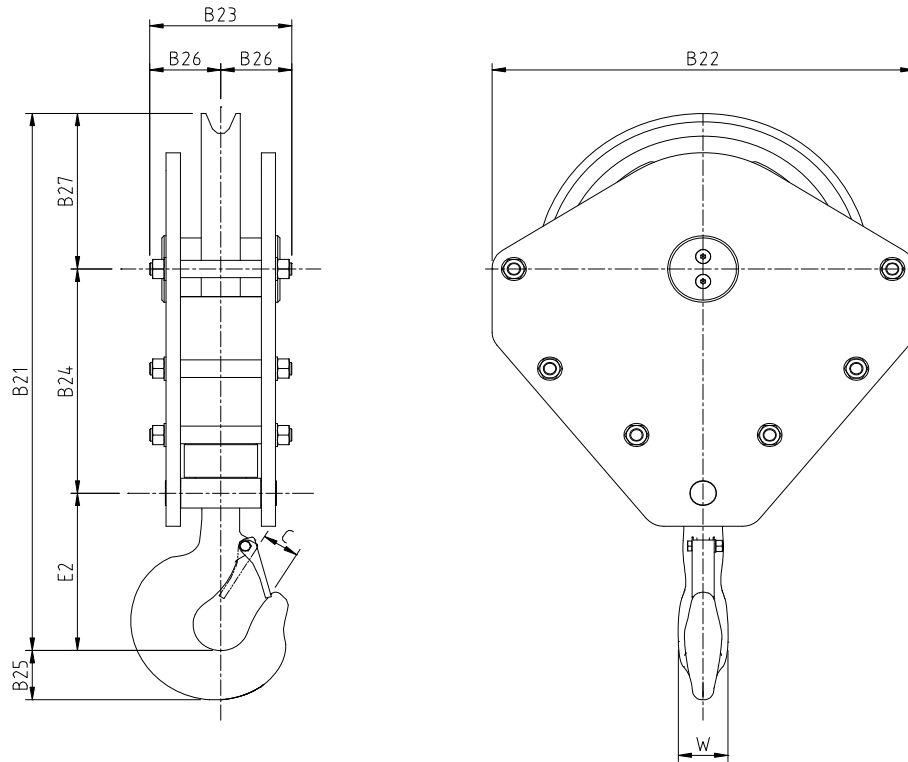




# JDN MONOCRANE

## TWO FALL HEAVY DUTY HOOK BLOCK

**JDN MONOCRANE** two fall hook block range features a pivoting trunnion and slewing hook to DIN/ISO Standards, as well as **JDN MONOCRANE** "S" series sheaves with shielded ball bearings to provide optimum performance and wear characteristics. All hooks are fitted with a spring loaded safety catch as standard.



PART No	MRC kgs	B21	B22	B23	B24	B25	B26	B27	C	E2	W	MAX ROPE
HB90262200X	32000	993	710	260	400	96	130	275	66	318	75	26
HB100302200X	40000	1195	880	320	490	119	160	325	83	380	95	30
HB110362200X	50000	1295	950	320	540	119	160	375	83	380	95	36

\* All dimensions in mm and subject to change without notice.