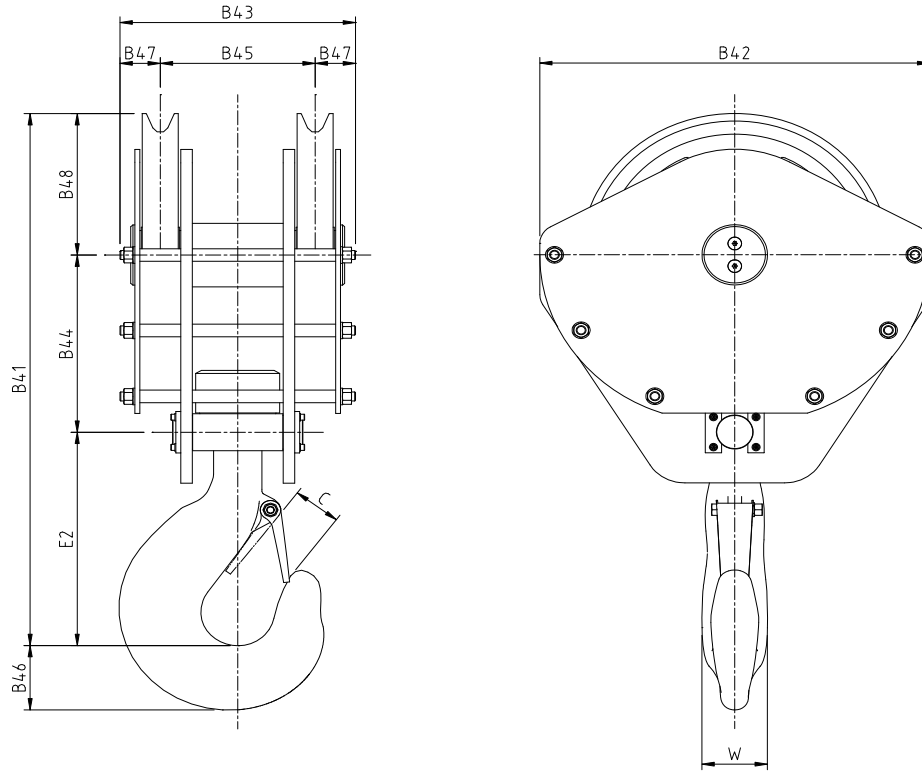




JDN MONOCRANE

FOUR FALL HEAVY DUTY HOOK BLOCK

JDN MONOCRANE four fall hook block range features a pivoting trunnion and slewing hook to DIN/ISO Standards, as well as **JDN MONOCRANE** "S" series sheaves with shielded ball bearings to provide optimum performance and wear characteristics. All hooks are fitted with a spring loaded safety catch as standard



PART No	MRC kg	B41	B42	B43	B44	B45	B46	B47	B48	C	E2	W	MAX ROPE
HB90262400X	63000	959	710	530	235	353	133	89	275	94	449	106	26
HB100302400X	80000	1226	880	541	400	349	151	96	325	93	501	118	30
HB110362400X	100000	1411	952	575	470	378	171	98.5	375	126	566	132	36

* All dimensions in mm and subject to change without notice.