

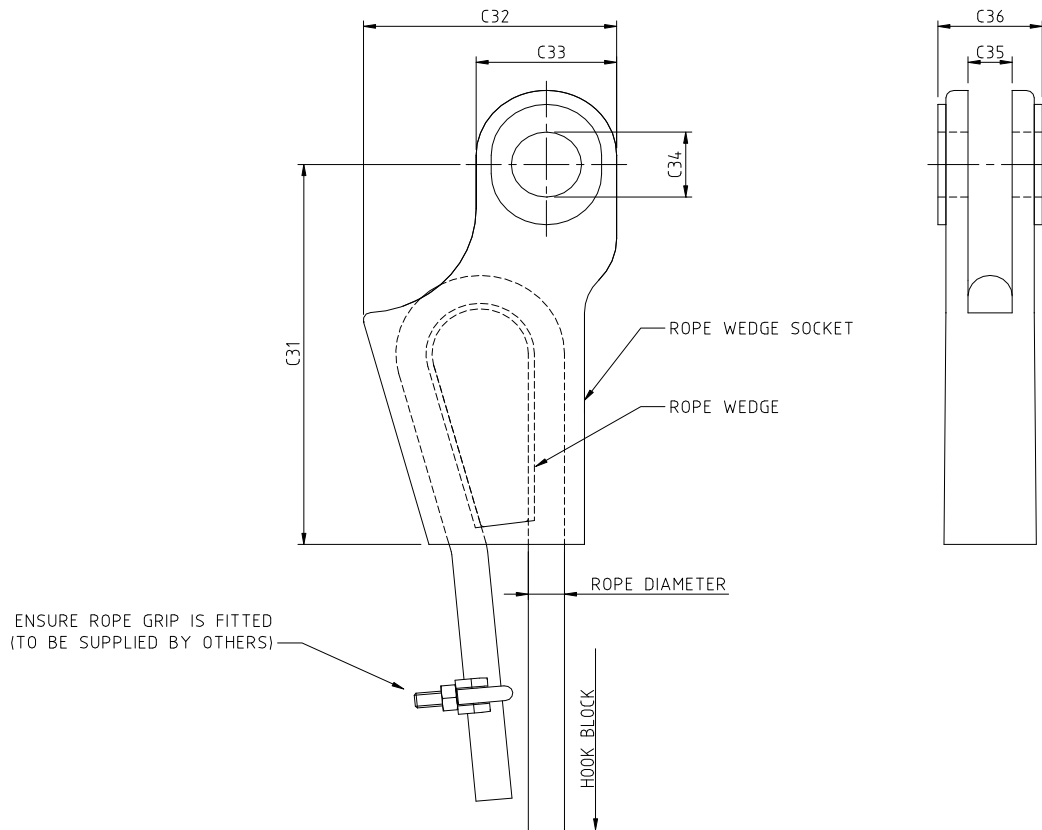


# JDN MONOCRANE

## WEDGE ROPE SOCKETS

**JDN MONOCRANE** Rope Wedge Socket range is manufactured from Grade AS2074 Cast Steel C4-1(245MPa Y) providing a balance between strength and wear resistance.

Manufactured to exacting tolerances to ensure maximum rope grip, while still enabling ease of installation and removal of even the largest wire ropes in the series.



PART No	ROPE DIAMETER	C31	C32	C33	C34	C35	C36	MRC kg
HF10052450	5 - 6	95	53	36	14	11	25	1250
HF20072450	7	95	53	36	14	11	25	1250
HF30092450	8 - 9	132	73	40	18	12	30	2000
HF40112450	10 - 12	146	89	48	18	15	29	3200
HF50142450	14 - 15	174	117	60	25	18	37	5000
HF60162450	16	184	120	60	25	22	41	5000
HF70182450	17 - 20	170	137	69	30	23	46	8000
HF80222250	21 - 24	258	173	95	45	28	58	12500
HF90262450	26	320	220	120	60	32	84	16000
HF100302450	30	320	220	120	60	32	84	20000
HF110362450	36	410	253	140	70	44	104	25000

\* All dimensions in mm and subject to change without notice.