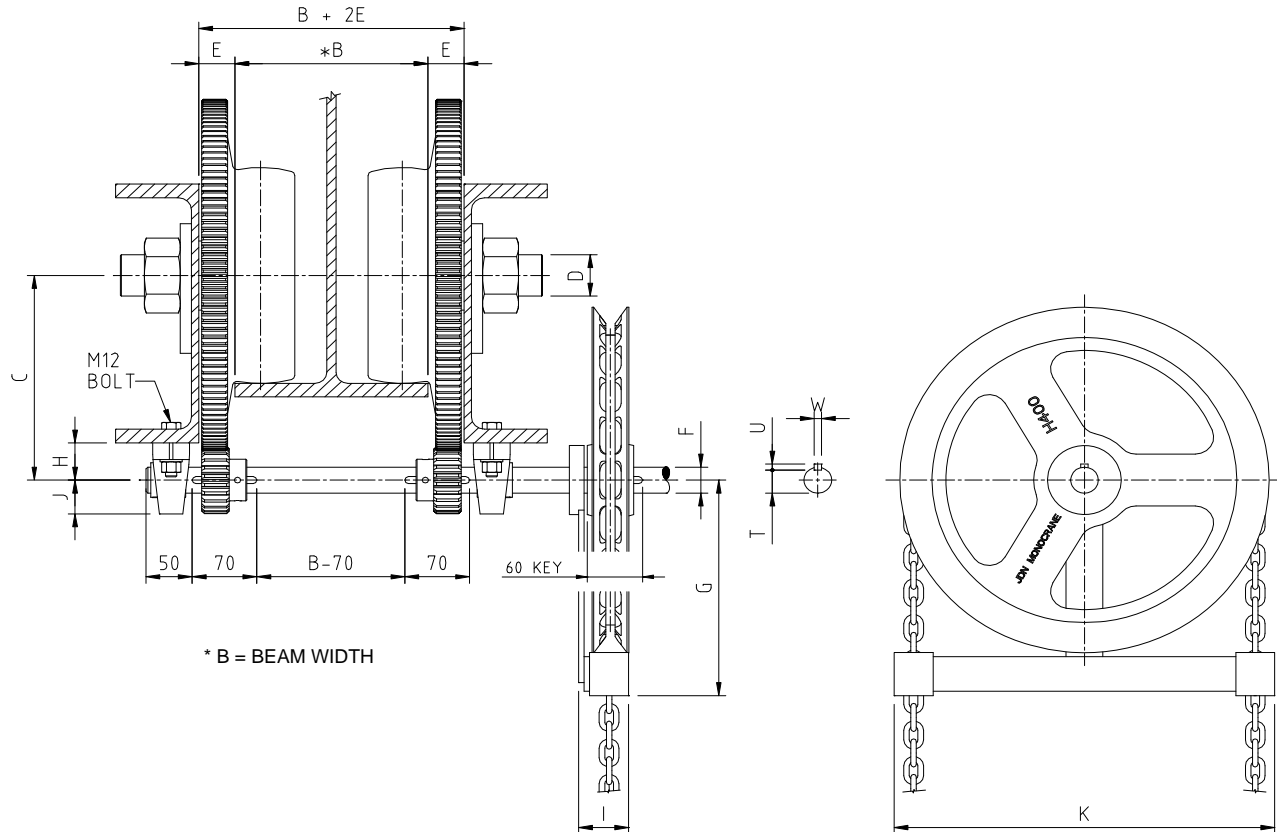


UNDERSLUNG WHEEL KIT

JDN MONOCRANE wheel kits provide the basic travel components for the fabricator to manufacture their own crane travel units.



WHEEL KIT INCLUDES:

- 4 - Plain wheels
- 4 - Geared wheels
- 4 - 24 Tooth pinions
- 4 - Bearing units
- 1 - Handwheel complete with handchain for 5 metre drop
- 1 - 300mm Key steel
- 1 - Handchain Guide

PART NUMBER	TREAD DIAM.	CAPACITY ON FOUR WHEELS (kg)			HAND WHEEL DIAM.	AXLE D	GEAR MESH C	E	SHAFT AND KEYWAY				G	H	I	J	K
		M3/M4	M5/M6	M7/M8					F	T	U	W					
USWK063	63	630	500	400	-	16	-	12	30	26	7	8	-	42.9	-	40.1	-
USWK075	75	1250	1000	800	H200B	20	96	19	30	26	7	8	150	42.9	54.2	40.1	213
USWK090	90	2500	2000	1600	H200B	24	108	20	30	26	7	8	150	42.9	54.2	40.1	213
USWK105	105	5000	4000	3200	H300B	30	120	22	30	26	7	8	200	42.9	54.2	40.1	308
USWK120	120	8000	6300	5000	H300B	30	132	24	30	26	7	8	200	42.9	54.2	40.1	308
USWK150	150	12500	10000	8000	H400B	36	156	29	30	26	7	8	250	42.9	54.2	40.1	413
USWK200	200	20000	16000	12500	H400B	48	195	35	40	35	8	12	250	49.2	54.2	50.8	413
USWK250	250	25000	20000	16000	H400B	48	237	39	40	35	8	12	250	49.2	54.2	50.8	413
USWK300	300	32000	25000	20000	H400B	64	277.5	42	40	35	8	12	250	49.2	54.2	50.8	413

* All dimensions in mm and subject to change without notice.