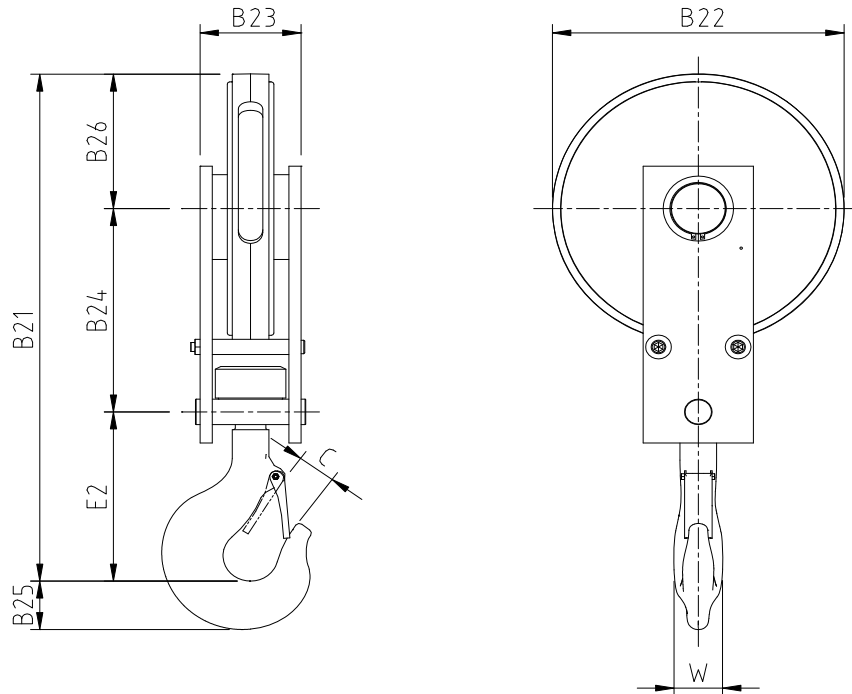




JDN MONOCRANE

TWO FALL HOOK BLOCK

JDN MONOCRANE two fall hook block range features a pivoting trunnion and slewing hook to DIN/ISO Standards, as well as **JDN MONOCRANE** "S" series sheaves with shielded ball bearings to provide optimum performance and wear characteristics. All hooks are fitted with a spring loaded safety catch as standard.



PART No	MRC kgs	B21	B22	B23	B24	B25	B26	C	E2	W	MAX ROPE
HB10052200X	1000	360	140	71	133	41	70	32	158	32	5
HB20072200X	2500	418	194	71	163	41	97	32	158	32	8
HB30092200X	4000	494	244	87	200	56	122	35	172	38	11
HB40112200X	6300	541	298	91	220	56	149	35	172	38	13
HB50142200X	10000	645	370	105	270	59	185	40	190	45	16
HB70182200X	16000	782	476	135	330	68	238	45	214	53	18
HB80222200X	25000	898	476	165	360	86	238	60	300	67	22

* All dimensions in mm and subject to change without notice.