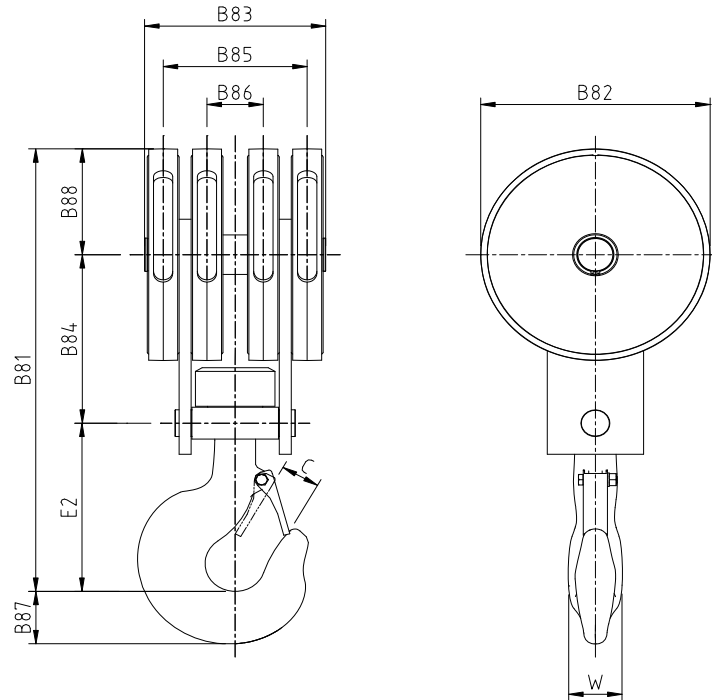




JDN MONOCRANE

EIGHT FALL HOOK BLOCK

JDN MONOCRANE eight fall hook block range features a pivoting trunnion and slewing hook to DIN/ISO Standards, as well as **JDN MONOCRANE** "S" series sheaves with shielded ball bearings to provide optimum performance and wear characteristics. All hooks are fitted with a spring loaded safety catch as standard.



PART No	MRC kg	B81	B82	B83	B84	B85	B86	B87	B88	C	E2	W	MAX ROPE
HB40092800X	12500	545	242	257	210	212	92	68	121	45	214	53	9
HB50112800X	16000	643	298	303	255	245	91	76	149	52	239	60	13
HB60142800X	20000	714	370	318	290	253	87	76	185	52	239	60	14
HB70162800X	32000	793	370	357	290	292	126	96	185	66	318	75	16
HB80182800X	50000	998	476	376	380	299	117	119	238	85	380	95	18

* All dimensions in mm and subject to change without notice.