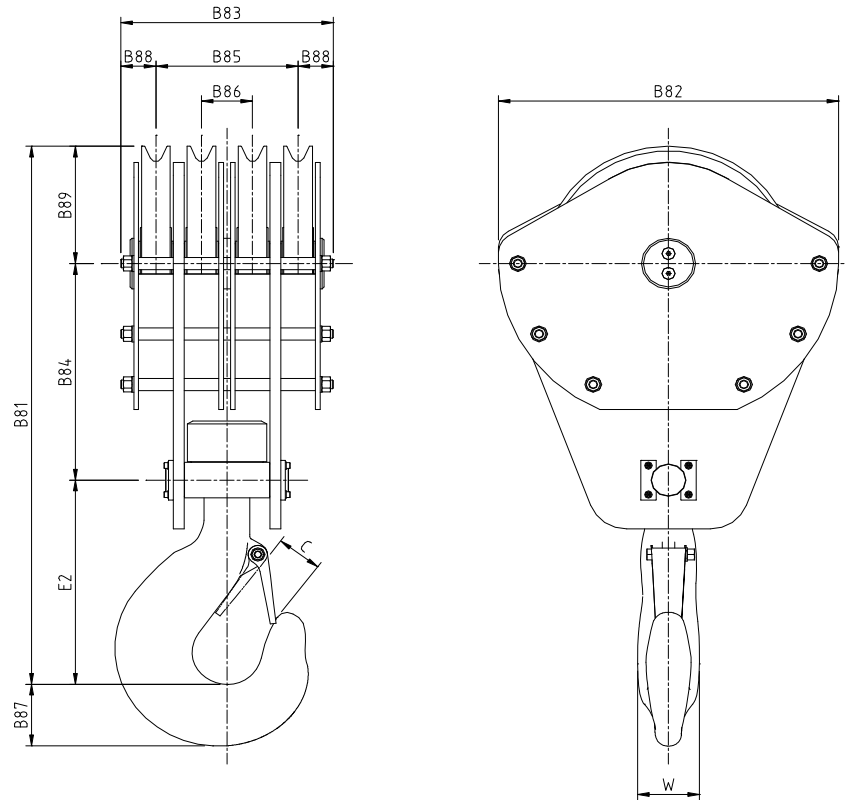




# JDN MONOCRANE

## EIGHT FALL HEAVY DUTY HOOK BLOCK

**JDN MONOCRANE** eight fall hook block range features a pivoting trunnion and slewing hook to DIN/ISO Standards, as well as **JDN MONOCRANE** "S" series sheaves with shielded ball bearings to provide optimum performance and wear characteristics. All hooks are fitted with a spring loaded safety catch as standard.



PART No	MRC kg	B81	B82	B83	B84	B85	B86	B87	B88	B89	C	E2	W	MAX ROPE
HB90222800X	63000	1117	606	485	450	320	120	133	82.5	218	94	449	106	22
HB100262800X	80000	1286	700	510	510	341	125	151	84.5	275	93	501	118	26
HB110302800X	100000	1491	880	550	600	368	132	171	91	325	126	566	132	30

\* All dimensions in mm and subject to change without notice.